

EV0line® T-Dock

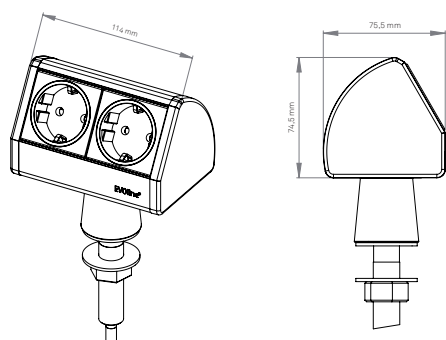


At home in the kitchen.

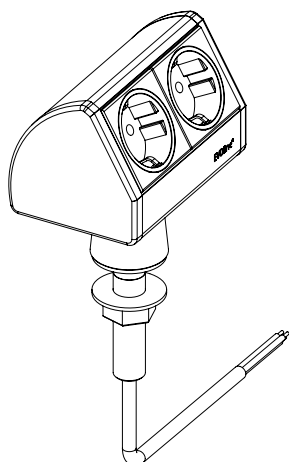
EVoline® T-Dock

The EVoline T-Dock is raised above the work surface by its solid stainless steel pillar. This gives clutter free space and creates a safe distance between power supply and potentially wet surfaces in the kitchen.

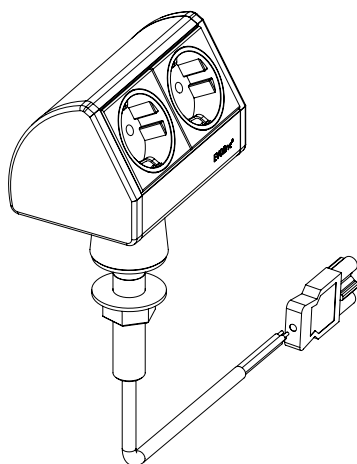
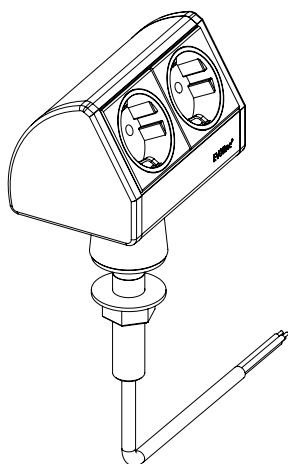
The power supply cable is routed through the stainless steel pillar which is also a high quality anti-theft device since it is firmly screwed beneath the surface.



Examples for power supply of the T-Docks:

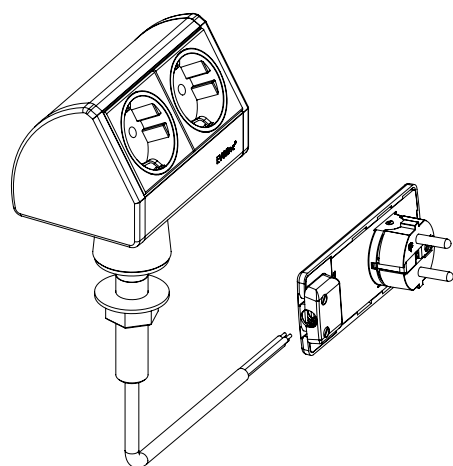


Fixed Power Supply Cable
routed through the stainless
steel pillar.





Fixed Power Supply Cable
routed through the stainless
steel pillar.

Available with several country
specific plugs, EVOLine Plug,
wire end ferrules,
Wieland GST 18i3- or
WAGO WINSTA Connector.



EVoline® T-Dock

Description	Picture	Specifications	Order Number
<p>EVoline T-Dock</p> <p>Aluminium housing in stainless steel optics, ALANOX®. For surface thickness up to 50 mm. Two sockets, VDE-compliant, 0°, 16 A, contact-protected. Fixed supply cable with wire end ferrules, plug supplied unattached.</p> <p>Power supply cable entry through the stainless steel pillar.</p>		<p>Plastic end caps lacquered in black</p> <p>Plastic end caps lacquered in stainless steel optics, ALANOX®</p>	<p>1593 0220 5600</p> <p>1593 0345 5600</p>
<p>EVoline T-Dock mit USB Charger</p> <p>Aluminium housing in stainless steel optics, ALANOX®. For surface thickness up to 50 mm. One socket, VDE-compliant, 0°, 16 A, contact-protected. 1x USB-Charger Type A Output voltage: 5 V DC Rated output current: 1A</p> <p>Fixed supply cable with wire end ferrules, plug supplied unattached. Power supply cable entry through the stainless steel pillar.</p>		<p>Plastic end caps lacquered in black</p> <p>Plastic end caps lacquered in stainless steel optics, ALANOX®</p>	<p>1593 0387 4600</p> <p>1593 0387 5600</p>